



UNITED BRASS WORKS, INC.

714 S. Main St., Randleman, NC 27317

Tel: 800-334-3035 Fax: 800-498-4696 www.ubw.com



Model 125T Valve

125WSP @ 350° F

200 WOG

100% Pressure Tested

Threaded Ends • Rising Stem

Swivel Disc Holder

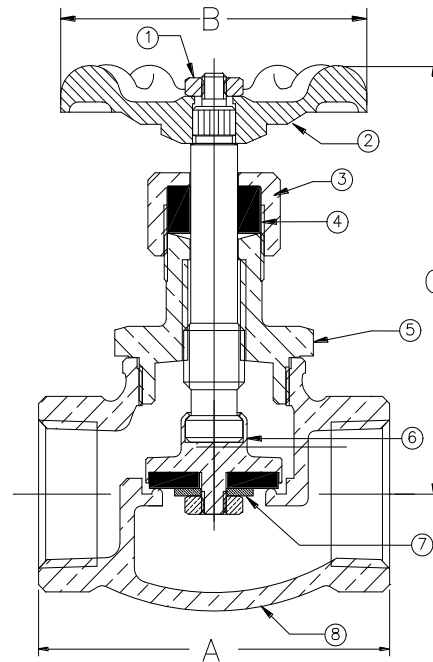
PTFE Disc

Integral Seat

Contains Lead. Not Intended for Use in Potable Water Systems

MATERIAL LIST

NO.	DESCRIPTION	MATERIAL
1	Nut	Steel
2	Hand Wheel	Zinc or Ductile Iron
3	Packing Nut	Brass
4	Packing	NAFG
5	Bonnet (1/4" - 1") Bonnet (1 1/4" - 2")	Brass Bronze
6	Stem & Disc Holder	Brass
7	Disc	PTFE
8	Body	Bronze



Size	1/4"	3/8"	1/2"	3/4"	1"	1 1/4"	1 1/2"	2"
A	1.75	1.84	2.22	2.47	2.97	3.56	4.06	4.69
B	1.75	1.75	2.03	2.38	2.75	3.00	3.72	3.72
C	2.88	3.13	3.38	3.50	4.25	4.75	5.50	5.50
Ship Wgt. (lbs.)	0.44	0.56	0.80	1.00	1.81	2.57	3.69	5.88
Qty. Per Ctn.	12	12	12	6	6	4	2	2
Qty. Per Case	60	60	72	60	36	24	12	12