



**UNITED BRASS WORKS, INC.**  
 714 S. Main St. Randleman, N.C. 27317  
 Tel: 800-334-3035 Fax: 800-498-4696 www.ubw.com



## Model 966P 1/2" Short Shank Tricock

**200 WSP @ 406° Max  
 400WOG**

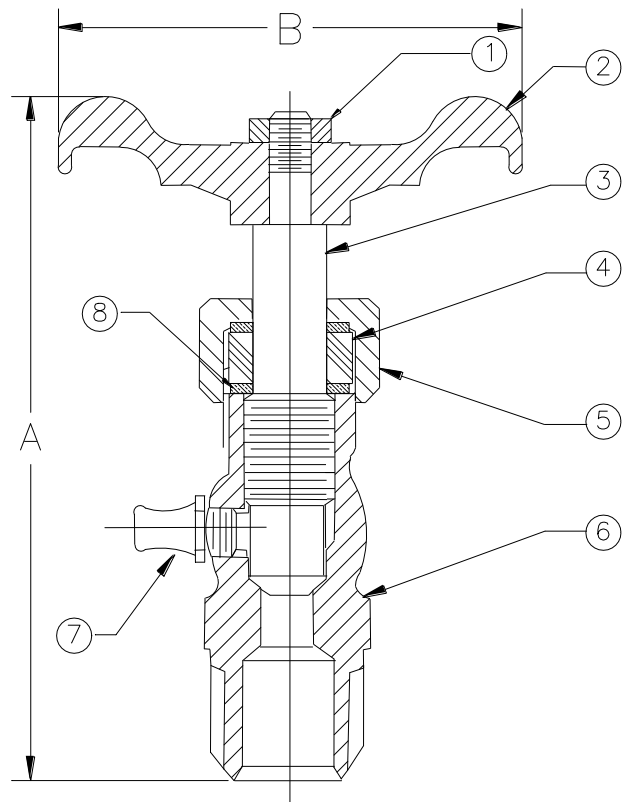
**Ductile Iron Hand Wheel  
 Brass Body**

**\*Contains Lead. Not Intended for Use in Potable  
 Water Systems\***

**Available with Plastic Hand Wheel as Part No.  
 966PPW**

### MATERIAL LIST

NO.	DESCRIPTION	MATERIAL
1	Screw	Steel
2	Hand Wheel	Ductile Iron
3	Stem	Brass
4	Packing	NAFG
5	Packing Nut	Brass
6	Body	Brass
7	Nozzle	Brass
8	Washer	Brass



Size	1/2"
A	3.70
B	2.10
Ship Wt. (lbs.)	0.34
Qty. Per Carton	12