



UNITED BRASS WORKS, INC.

714 S. Main St. Randleman, N.C. 27317

Tel: 800-334-3035 Fax: 800-498-4696 www.ubw.com



Model 966L 1/2" Long Shank Tricock

250 WSP @ 406°F Max

400WOG

Ductile Iron Hand Wheel

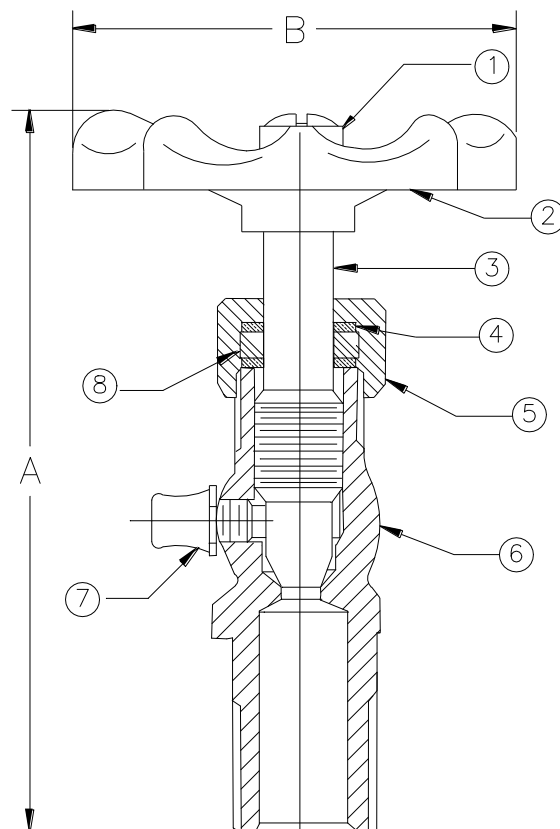
Brass Body

Contains Lead. Not Intended for Use in Potable Water Systems

Available with Plastic Hand Wheel as Part No. 966LPW

MATERIAL LIST

NO.	DESCRIPTION	MATERIAL
1	Screw	Steel
2	Hand Wheel	Ductile Iron
3	Stem	Brass
4	Washer	Brass
5	Packing Nut	Brass
6	Body	Brass
7	Nozzle	Brass
8	Packing	NAFG



Size	1/2"
A	3.70
B	2.10
Ship Wt. (lbs.)	0.34
Qty. Per Carton	12