



UNITED BRASS WORKS, INC.

714 S. Main St. Randleman, N.C. 27317

Tel: 800-334-3035 Fax: 800-498-4696 www.ubw.com



Model 44 Whistle Valve

Quick-Opening Self-Closing Globe Valve

Less Yoke & Lever

150WSP · 400 WOG

100% Pressure Tested

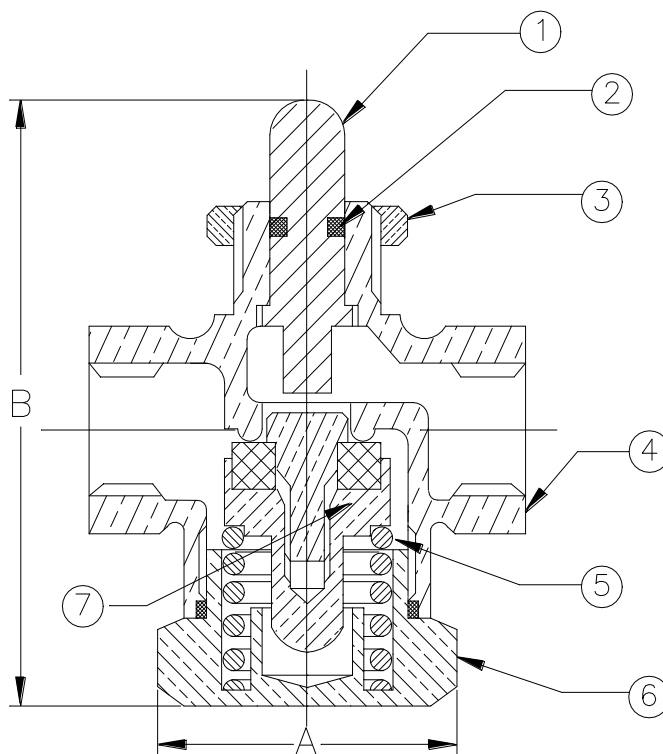
Threaded Ends

PTFE Disc · Integral Seat

Contains Lead. Not Intended for Use in Potable Water Systems

MATERIAL LIST

NO.	DESCRIPTION	MATERIAL
1	Stem	Stainless Steel
2	O-Ring	008 TFE/P
3	Lock Nut	Brass
4	Body	Bronze
5	Spring	Stainless Steel
6	Cap	Brass
7	Disc Holder	Bronze



	A	B	Qty. Per Ctn.
44 1/4"	1.88	2.50	25