



**UNITED BRASS WORKS, INC**  
 714 S. Main St.. Randleman, N.C. 27317  
 Phone: 800/334-3035 Fax: 800/498-4696 [www.ubw.com](http://www.ubw.com)



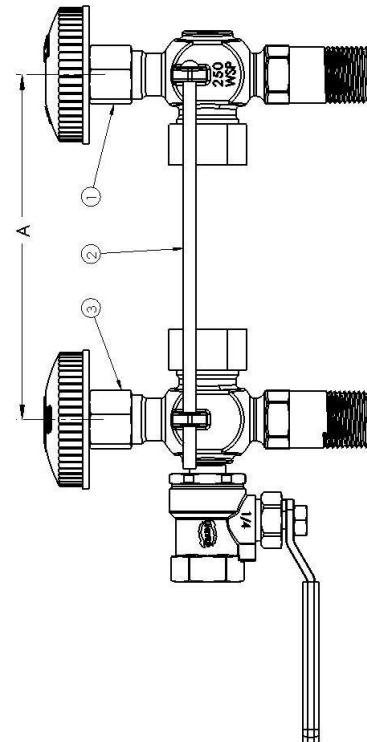
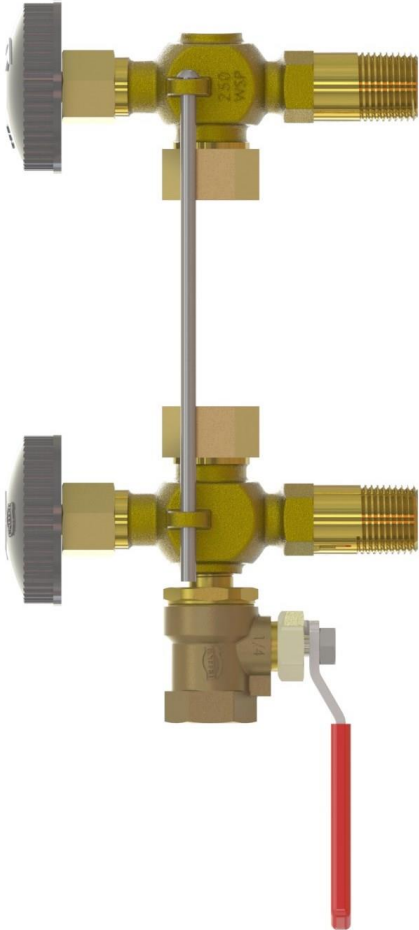
# Model 34036 Long Shank Water Gauge Fixture Set W/Ball Checks, Plastic Hand Wheel and Ball Valve for Blow Off

**250 WSP @ 406°F Max**

**400WOG**

**Rising Stem**

**\*Contains lead. Not For Use In Water Systems  
 Intended for Human Consumption\***



MATERIAL LIST		
NO.	DESCRIPTION	MATERIAL
1	Upper Fixture	See Specs 905SPW
2	Protector Rods 14"	Steel
3	Lower Fixture	See Specs 946XFSN

*\*A To determine proper glass length, subtract 1 1/8" from center to center dimensions of the installed valves.*