



# UNITED BRASS WORKS, INC.

714 S. Main St. Randleman, N.C. 27317

Tel: 800-334-3035 Fax: 800-498-4696 www.ubw.com



## Model 25WACT Whistle Valve

**Quick-Opening  
Self-Closing Globe Valve**

**CRN OCO7135.2C**

**200WSP • 400 WOG**

**100% Pressure Tested**

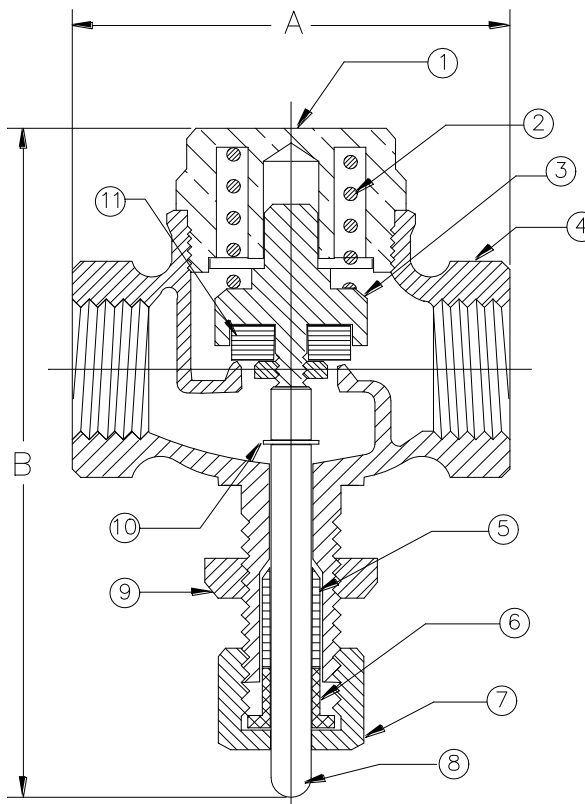
**Threaded Ends**

**PTFE Disc • Integral Seat**

**\*Contains Lead. Not Intended for Use in Potable Water Systems\***

## MATERIAL LIST

NO.	DESCRIPTION	MATERIAL
1	Cap	Brass
2	Spring	Stainless Steel
3	Disc Holder	Brass
4	Body	Bronze
5	Packing	NAFG
6	Gland	Brass
7	Packing Nut	Brass
8	Stem	Stainless Steel
9	Lock Nut	Brass
10	Retaining Ring	Steel
11	Disc	PTFE



	A	B	Qty. Per Ctn.
25WACT 1/4"	2.34	3.22	10
25WACT 3/8"	2.34	3.22	6
25WACT 1/2"	2.69	4.00	5
25WACT 3/4"	3.00	4.50	6
25WACT 1"	3.75	5.25	4