



# UNITED BRASS WORKS, INC.

714 S. Main St. Randleman, N.C. 27317

Tel: 800-334-3035 Fax: 800-498-4696 www.ubw.com



## Model 15 Gate Valve (Conforms to MSS-SP-80-97)

**125 WSP @ 350 ° Max**

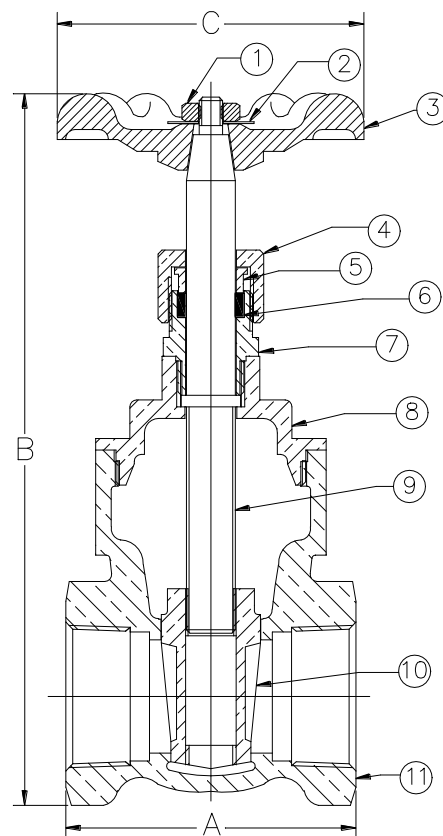
**200 WOG \* 100% Pressure Tested**

**Threaded Ends \* Non-Rising Stem**

**\*Contains Lead. Not Intended for Use in Potable Water Systems\***

### MATERIAL LIST

NO.	DESCRIPTION	MATERIAL
1	Nut	Steel
2	Marker Disc	Aluminum
3	Hand Wheel	Ductile Iron
4	Packing Nut	Brass
5	Packing Gland	Brass
6	Packing	NAFG
7	Upper Bonnet	Bronze
8	Lower Bonnet	Bronze
9	Stem	Brass
10	Wedge	Brass
11	Body	Bronze



Size	3/8"	1/2"	3/4"	1"	1 1/4"	1 1/2"	2"	2 1/2"
A	1.80	1.80	2.00	2.65	2.65	2.88	3.25	4.13
B	3.30	3.85	4.15	4.90	5.50	6.00	7.13	11.13
C	1.90	2.00	2.40	2.70	2.85	3.25	3.75	4.50
Ship Wgt. (lbs.)	0.70	0.80	0.90	1.50	2.10	2.80	4.30	9.20
Qty. Per Ctn.	12	12	6	6	4	2	2	2