



# UNITED BRASS WORKS, INC

714 S. Main St.. Randleman, N.C. 27317

Phone: 800/334-3035 Fax: 800/498-4696 [www.ubw.com](http://www.ubw.com)



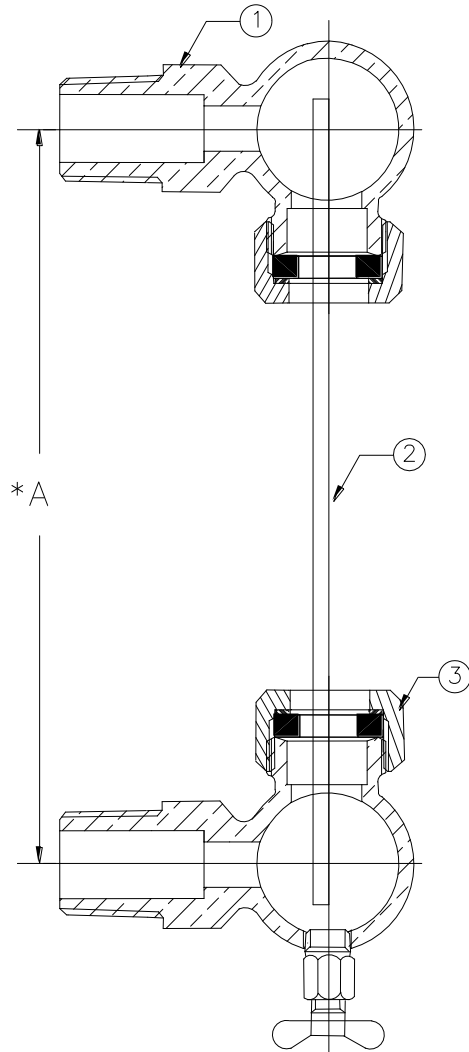
## Model 34019 Expansion Tank Fixture Set

250 WSP @ 406°F Max

**\*Contains lead. Not For Use In Water Systems  
Intended for Human Consumption\***

### MATERIAL LIST

NO.	DESCRIPTION	MATERIAL
1	Upper Fixture	See Specs for 910
2	Protector Rods	Steel
3	Lower Fixture	See Specs for 911



**\* A** *To determine proper glass length,  
subtract 1 1/8" from center to center  
dimensions of the installed valves.*